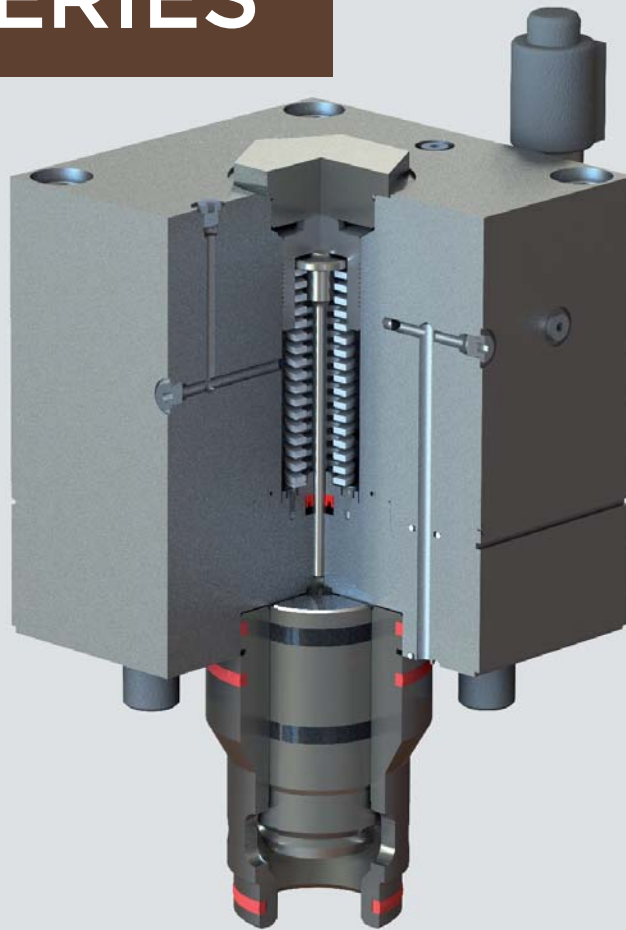




Water Hydraulics, Inc.

BOC WATER HYDRAULICS

PRESS CONTROL VALVES OCV SERIES



PROUDLY MADE IN THE USA

12024 SALEM WARREN ROAD
PO BOX 1028
SALEM, OHIO 44460
WWW.BOCWATERHYDRAULICS.COM





“ Whatever your requirements may be, our Engineering Team will design and our state-of-the art manufacturing facility will produce to meet your needs. ”

TODD OLSON, PRESIDENT AND OWNER

WORD FROM THE PRESIDENT



TODD OLSON, PRESIDENT AND OWNER

BOC has established ourselves as the global industry leader in water hydraulics, but we also have extensive knowledge and success with oil based hydraulic valves. BOC can lend support to your existing systems through parts availability, full repairs, site service, or most conveniently, total replacements for your operations. Whatever your requirements may be, our Engineering Team will design and our state-of-the art manufacturing facility will produce to meet your needs – and we do not stop there. We offer warranties to all our products and are always standing by to provide you technical assistance and field service support.

Bottomline, our products are the safest and most reliable in the marketplace. Our products will simplify your maintenance plan, significantly reduce your downtime, and simplify your spares strategy, while providing support for products that cannot be found elsewhere.

-Todd



Water Hydraulics, Inc.

VALVE OVERVIEW

BOC's OCV line of high pressure press control valves are designed specifically for demanding forging and extrusion applications.

OCV = OIL CARTRIDGE VALVES

BOC OCV Normally Closed

Sequence Port W pressurized when pilot is on, for control of downstream valves

Spring ensures positive 'Normally Closed' action

Several pilot options available

'Amplifier' to support low pressure piloting

Easy access to seal between Pilot and main pressure cavities

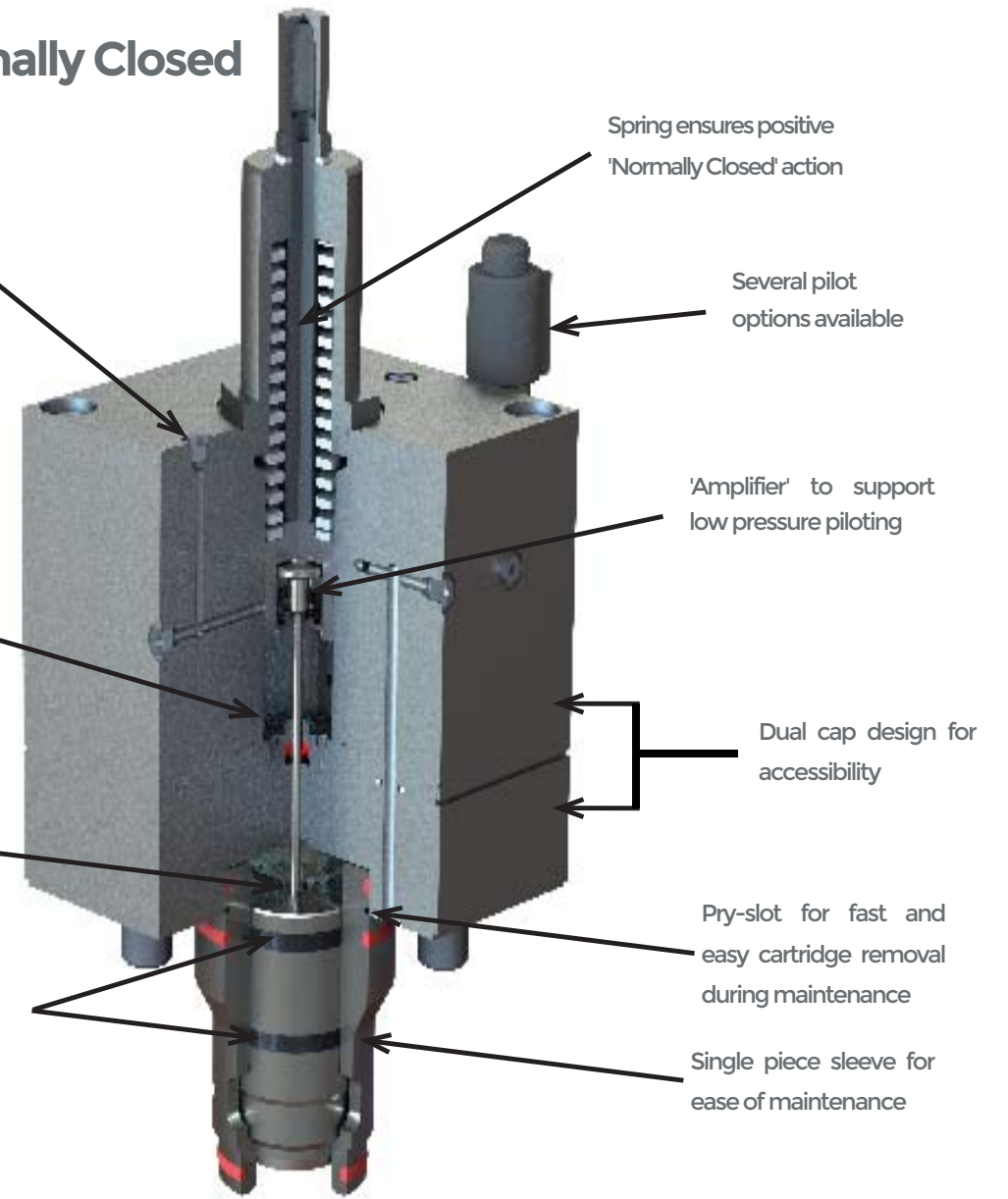
Dual cap design for accessibility

Enhanced seating for durability

Pry-slot for fast and easy cartridge removal during maintenance

Heavy-duty wide 'poppet' seals for controlled leakage, minimal metal to metal contact

Single piece sleeve for ease of maintenance



The Heart of our Valves



- Minimal Leakage
- High Quality Materials
- Various piloting options
- Interchangeable with Oilgear and other similar valves
- Conforms to ISO 7368 standards

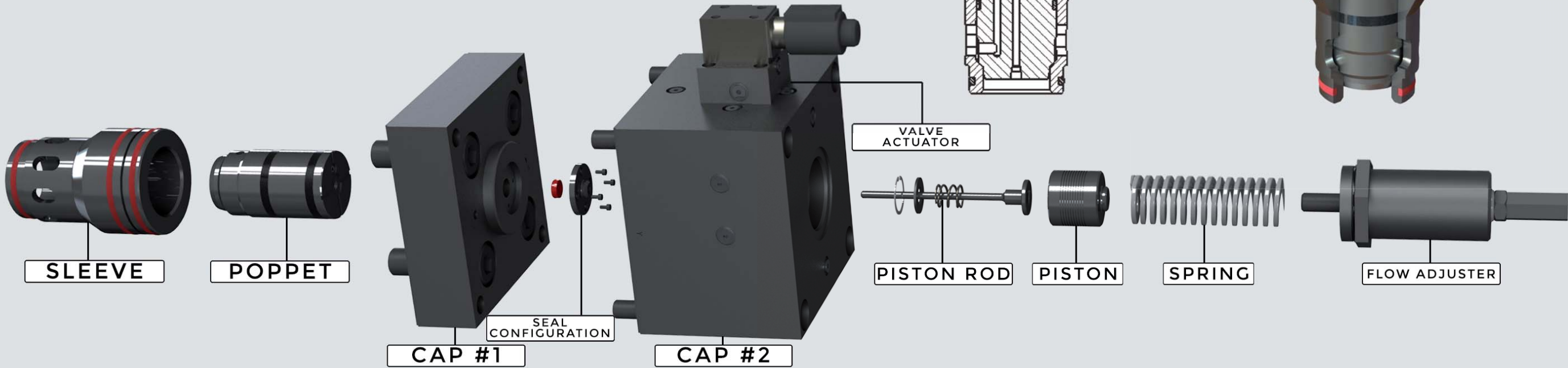
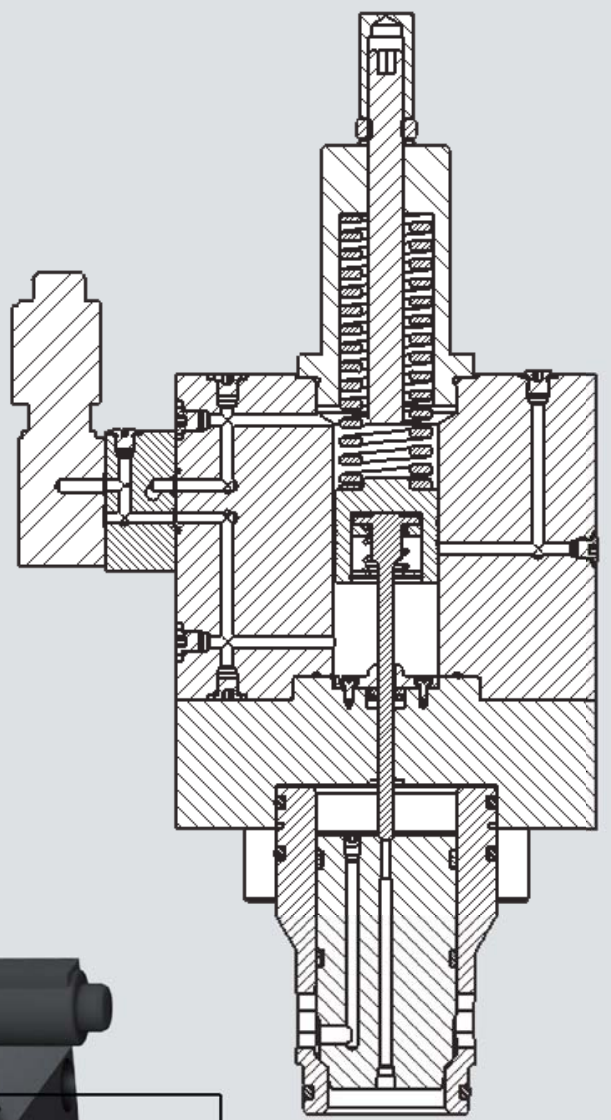
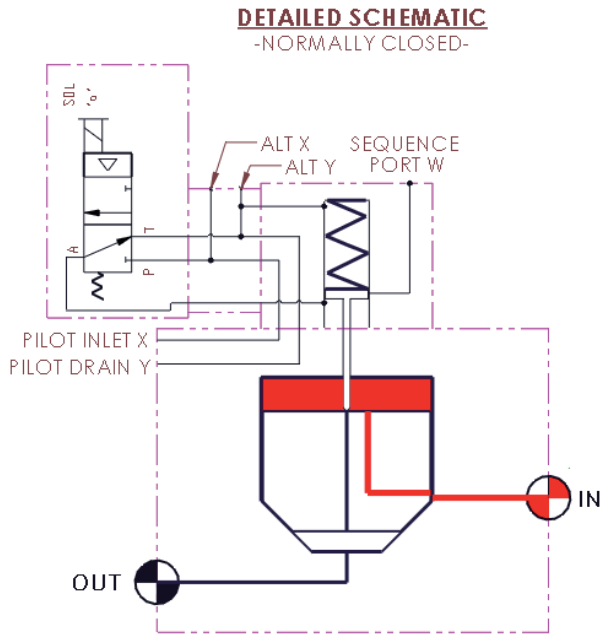
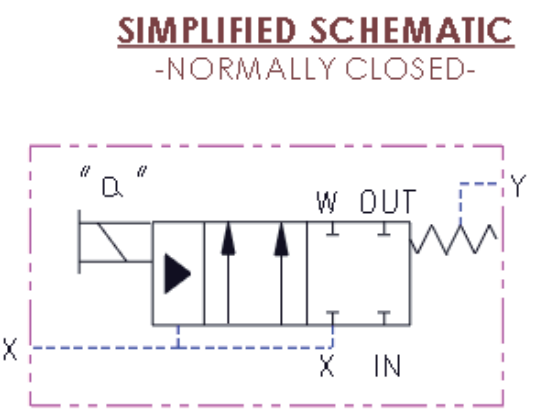


BOC Sleeve and Poppet

NORMALLY CLOSED



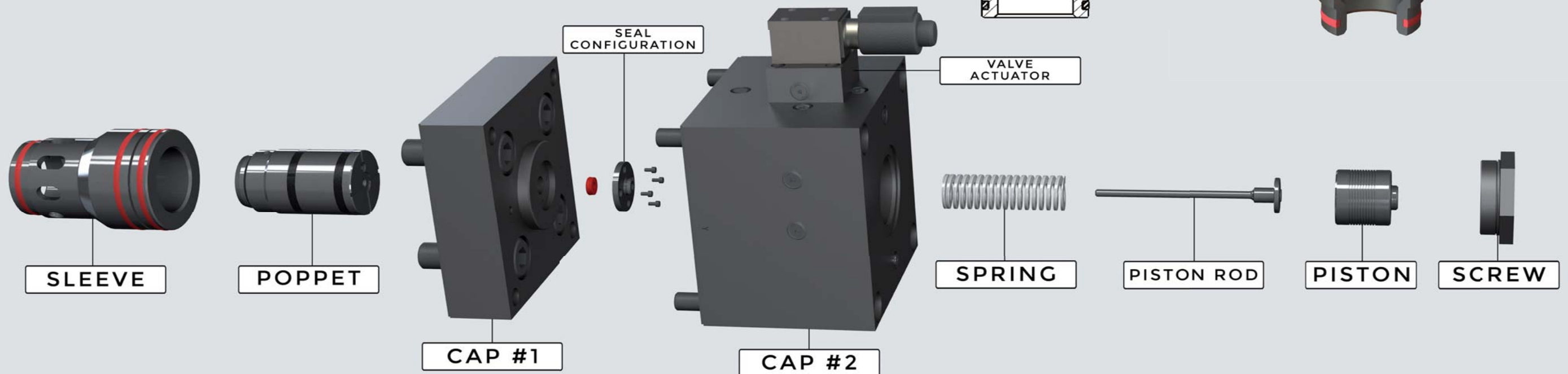
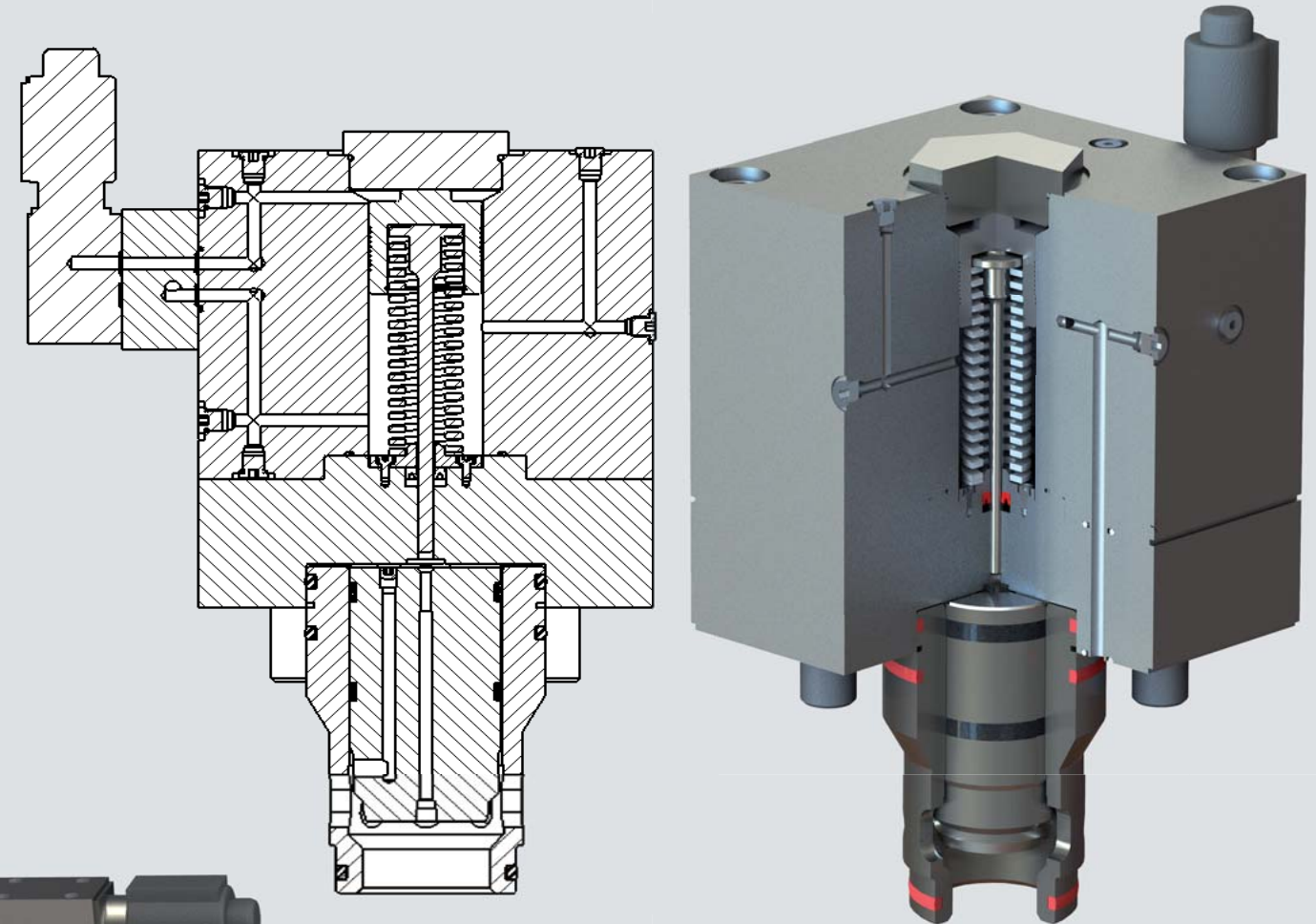
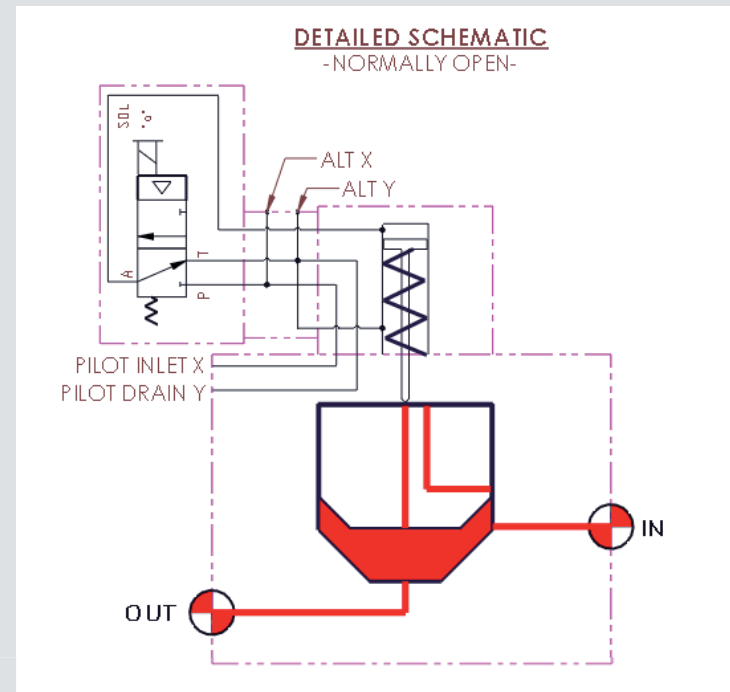
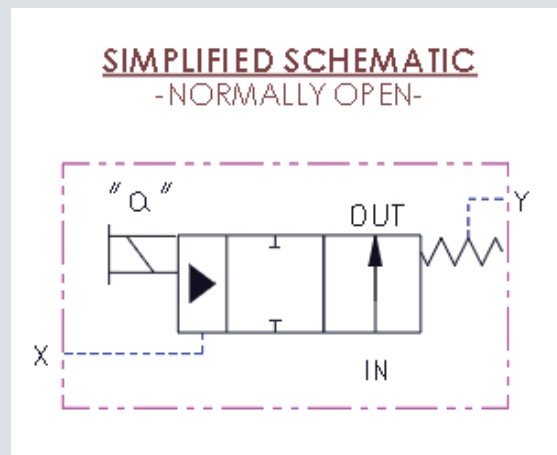
Water Hydraulics, Inc.



NORMALLY OPEN



Water Hydraulics, Inc.



WHY BUY BOC?

Easy to Manage Sustained Performance

Complete Engineering Design

BOC's knowledgeable and in-depth engineering team will work directly with you to customize to your needs. We will fit our products to the existing footprint to reduce investments needed for repairs or rebuilds.

Cartridges Reduce Costs

BOC's Quad-S Cartridges (see "The Heart of our Valves" on page 3) maximize your efficiencies while reducing replacement part inventory costs and unexpected downtime due to the interchangeability of parts.

World Class Customer Service

BOC's commitment to our customers is never ending. With ongoing maintenance and repair schedules, as well as on-site visits within 48 hours anywhere in the US, working with BOC is a true partnership throughout the life cycle of our products.



BOC Water Hydraulics is proud to be Made in the USA and is a recognized Veteran Owned Small Business by the U.S. Department of Veterans Affairs.



PROUDLY MADE IN THE USA

ORDERING INFORMATION

COMING SOON!



PROUDLY MADE IN THE USA

12024 SALEM WARREN ROAD
PO BOX 1028
SALEM, OHIO 44460
WWW.BOCWATERHYDRAULICS.COM



WATER HYDRAULICS, INC.