



Water Hydraulics, Inc.

BOC WATER HYDRAULICS

DESCALE VALVES •DS SERIES•



PROUDLY MADE IN THE USA

12024 SALEM WARREN ROAD
PO BOX 1028
SALEM, OHIO 44460
WWW.BOCWATERHYDRAULICS.COM





“ Whatever your requirements may be, our Engineering Team will design and our state-of-the art manufacturing facility will produce to meet your needs. ”

TODD OLSON, PRESIDENT AND OWNER

WORD FROM THE PRESIDENT



TODD OLSON, PRESIDENT AND OWNER

BOC's high pressure water valves are designed and manufactured to withstand the harshest of operating environments, descaling. Our cartridge style, poppet-type descale valves offer the best value for like equipment on the market today.

Our Descale Valve lines pull together the best of our product lines to provide a reliable solution for descaling applications. Our Quad-S cartridges are provide the primary valve action, employing the top-of-the-line cartridge on the market. Reliable piloting is provided by our V010 series valve line, which is the most dependable and dirt tolerant water valve in the descaling market. And our innovative Pressure Reducing Orifice stack technology allows us the ability to incorporate multiple pressures such as pre-filling right into our valve packages.

Each descale valve is engineered to meet your specific application and pumping requirements. And we go the extra mile to ensure that our valves “bolt up” to your existing field piping envelopes. Just remember, whatever your requirements may be, our Engineering Team can provide a solution and our state-of-the art manufacturing facility can produce whatever you need – and we do not stop there. We are always standing by to provide you technical assistance and field service support you require to be successful in today's highly competitive world.

-Todd



Water Hydraulics, Inc.

VALVE OVERVIEW

BOC's DS Series line of descaling valves are designed specifically for your applications.

Quad-S™ Cartridges (Stainless Steel, Soft Shift)

Pry-slot for fast and easy cartridge removal during maintenance

Indicating rods to provide exact position of the valve at all times

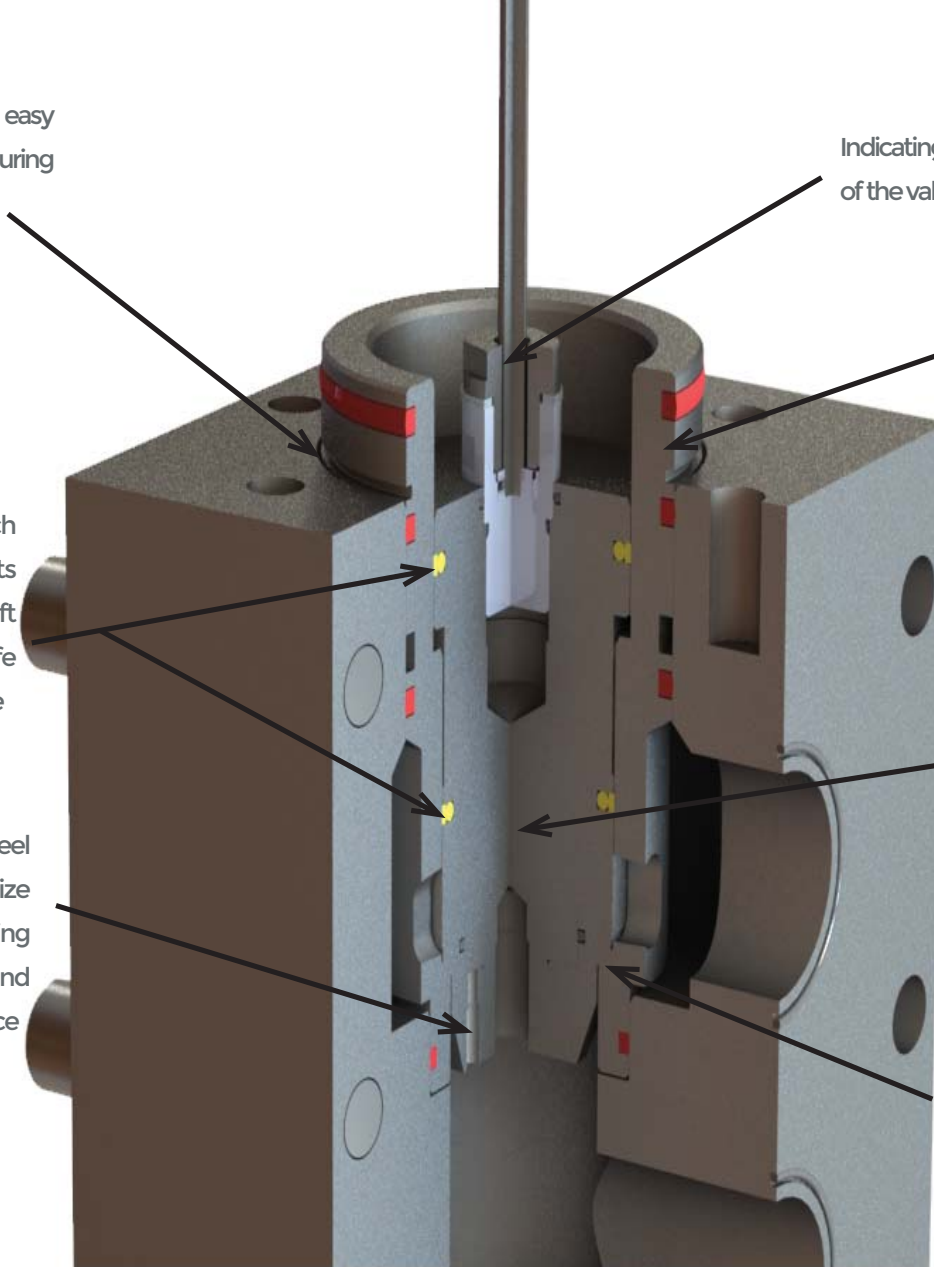
Single piece hardened stainless steel sleeve with graduated slots to minimize hydraulic shock, giving long component life and less downtime and system maintenance

Dynamic seals which do not cross ports during valve shift results in long valve life and less maintenance

Stainless steel poppet with wrench flats produces long life and reduced wear and downtime

Hardened stainless steel nose piece to minimize opening shock adding component life and lessening maintenance

Removable, reversible seat with range of materials options (hard and soft) for drop tight sealing - double seal life reducing maintenance costs



The Heart of our Valves



- Adaptive, Serviceable, and Multi-Functional
- Zero Leakage
- High Quality Materials
- Capable of raw water operating up to 6000 psi
- Sizes ranging Din 16 up through Din 200

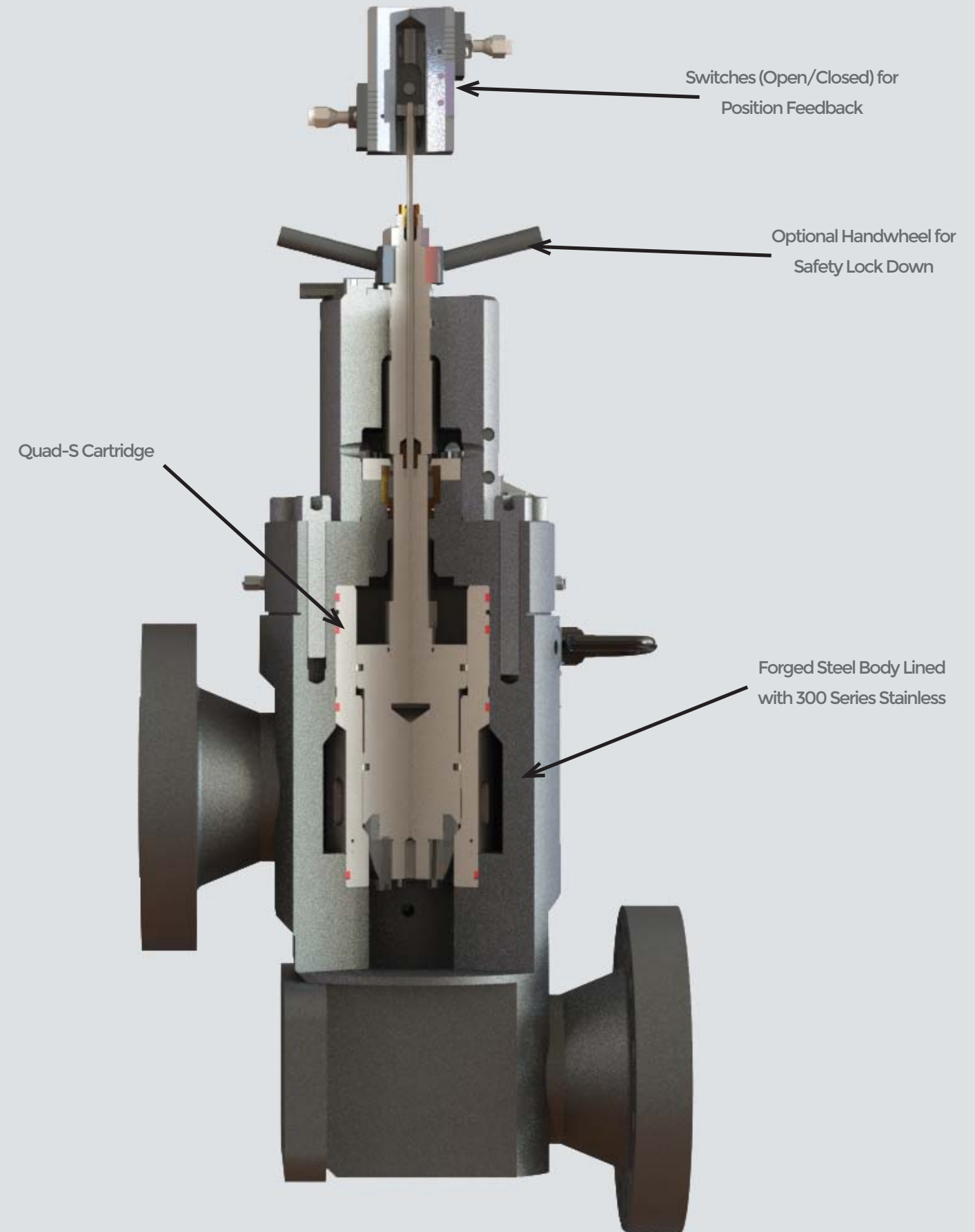


Size DIN 16 through DIN 200
3/4" - 8", 15gpm - 3000gpm

DESCALE VALVE OVERVIEW

BOC Descale Valve Advantages

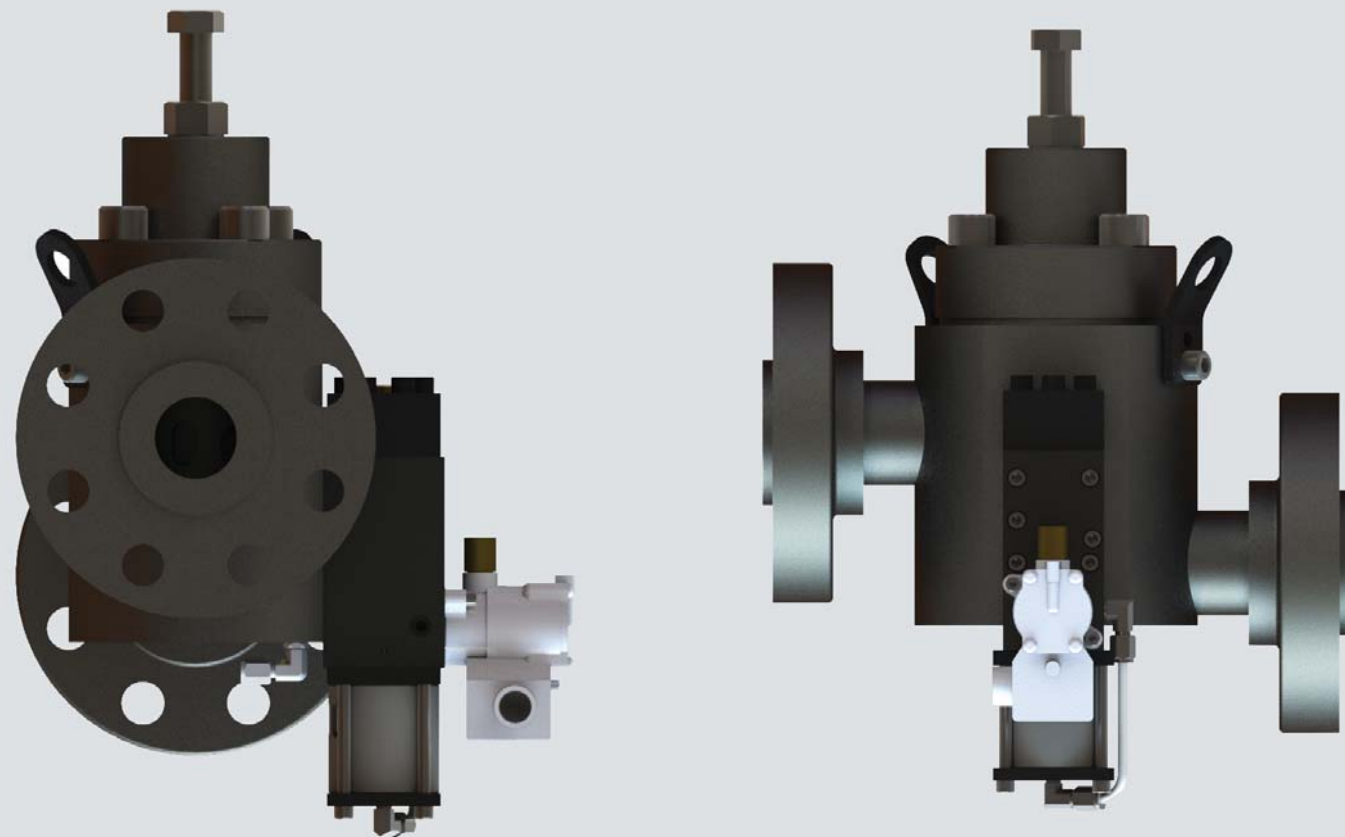
- **Long Operational Life** - Quad-S Cartridges are more dirt tolerant than conventional plunger type designs, giving long repeatable performance
- **Reliable Shift** - Valve is shifted by descale water pressure and differential area, not large external air cylinder operator(s)
- **Zero Internal Leakage** - Dynamic poppet seals never cross ports, seal life very long resulting in minimal maintenance and longer system life
- **Smooth Operation** - Graduated flow holes in sleeve dampen open/close shock
- **Flexible Installation** - Valves are easily adapted to meet any existing mounting envelope. No mill changes are required
- **Rugged Construction** - All surfaces in contact with fluid are stainless steel to prevent corrosion and erosion from raw water operations for extremely long life and performance



PRE-FILL VALVES

Pre-fill Valves Features

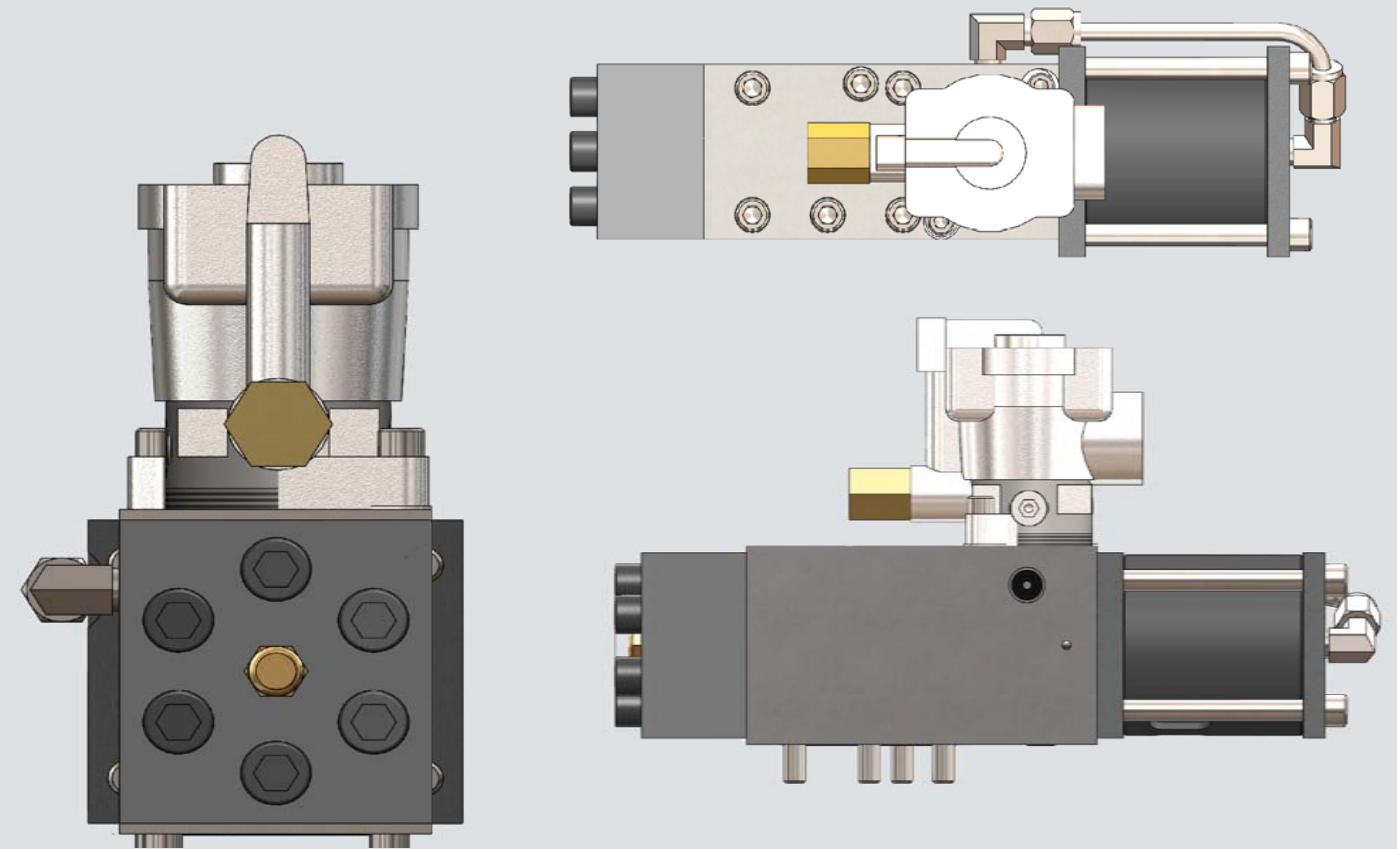
- Variety of flange mounted configurations available
 - Valve is supplied with flange space meeting field requirements
 - Flanges can be in-line or offset, oriented either 90° or 180°
 - ANSI B16.5 or SAE flanges are available
-



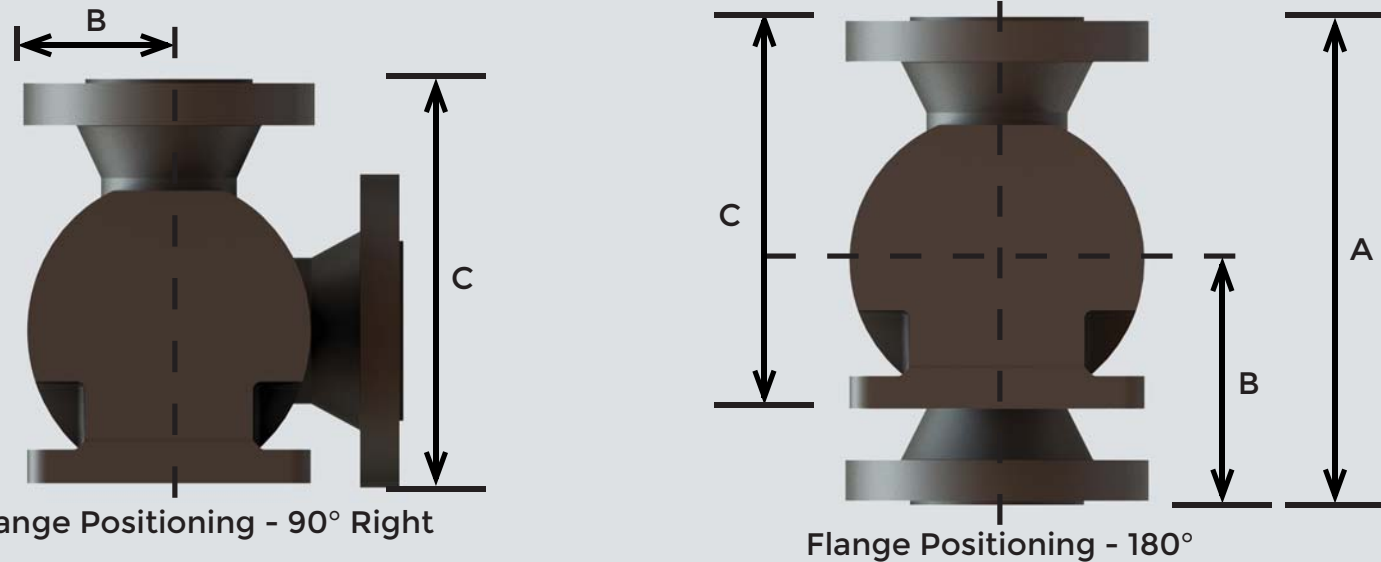
PILOT VALVES

Pilot Valves Features:

- Designed and built specifically for the challenges of piloting descale valves
 - 10 gpm, 3/2 way, air operated, packed spool type directional control valve
 - Balanced spool for maximum seal life
 - Pilot filtration to 100 microns recommended. A variety of filter options available
-



TYPICAL ENVELOPE DIMENSIONS



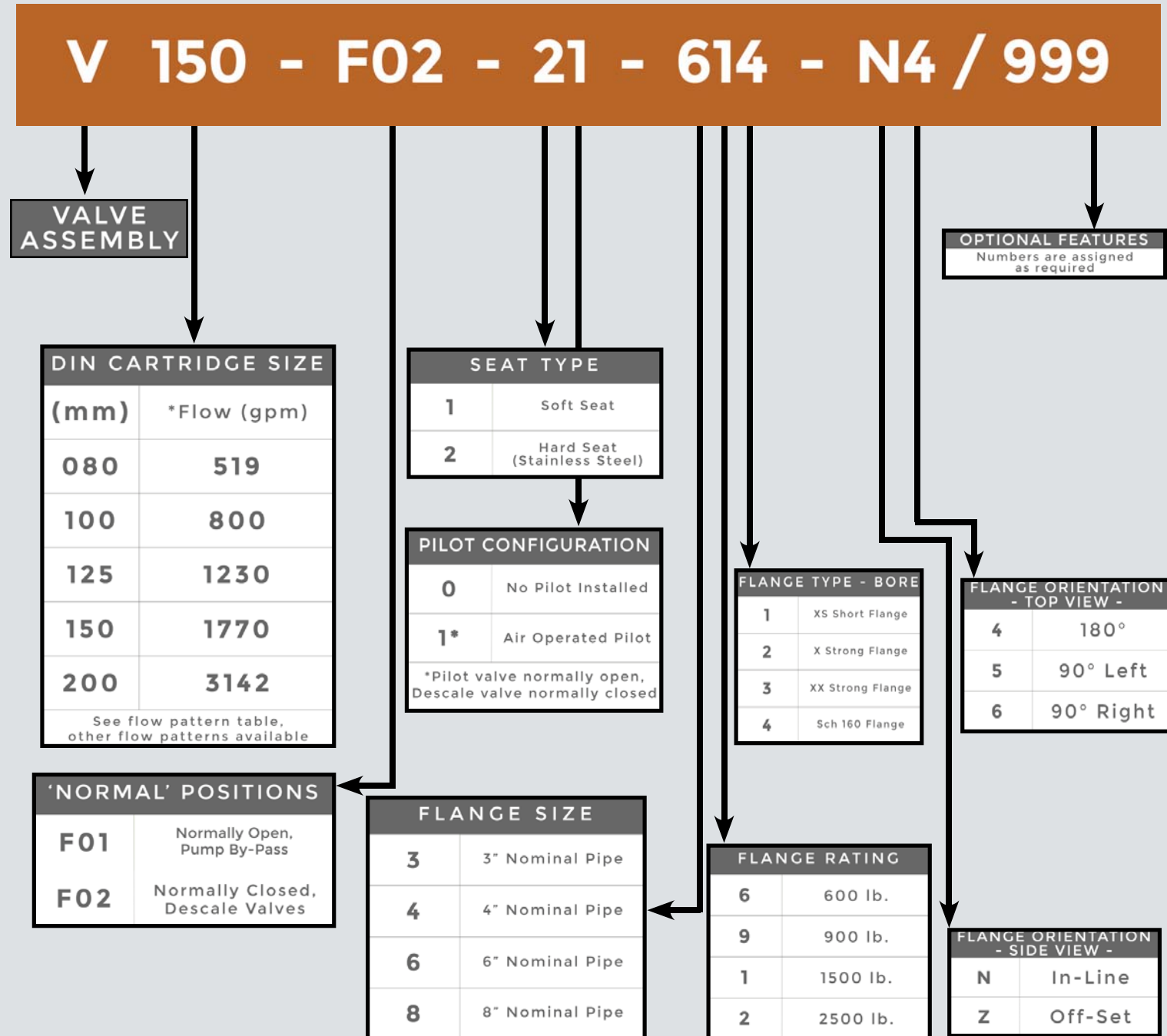
FLANGE RATINGS

900# FLANGE					
SIZE	FLANGE TYPE	A	B	C	D
4"	X Strong Short Flange	18.75	10.25	13.75	11.50
	X Strong XX Strong, Sch 160	20.25	10.38	15.12	11.50
6"	X Strong Short Flange	22.12	11.69	16.44	15.00
	X Strong XX Strong, Sch 160	23.56	11.88	17.69	15.00
8"	X Strong Short Flange	29.25	14.62	23.62	18.50
	X Strong XX Strong, Sch 160	29.62	14.81	23.81	18.50

1500# FLANGE					
SIZE	FLANGE TYPE	A	B	C	D
4"	X Strong Short Flange	19.50	10.62	14.12	12.25
	X Strong XX Strong, Sch 160	21.00	10.75	15.50	12.25
6"	X Strong Short Flange	24.25	12.75	17.50	15.50
	X Strong XX Strong, Sch 160	26.06	13.12	18.94	15.50
8"	X Strong Short Flange	33.25	16.62	25.62	19.00
	X Strong XX Strong, Sch 160	33.62	16.81	25.81	19.00

2500# FLANGE					
SIZE	FLANGE TYPE	A	B	C	D
4"	XX Strong Short Flange	26.00	13.25	18.00	14.00
	XX Strong Schedule 160	26.25	13.38	18.12	14.00
6"	XX Strong Short Flange	33.69	16.94	22.75	19.00
	XX Strong Schedule 160	34.06	17.12	22.94	19.00
8"	XX Strong Short Flange	---	---	---	---
	XX Strong Schedule 160	41.88	20.94	29.94	21.75

ORDERING INFORMATION



WHY BUY BOC?

Easy to Manage Sustained Performance

Complete Engineering Design

BOC's knowledgeable and in-depth engineering team will work directly with you to customize to your needs. We will fit our products to the existing footprint to reduce investments needed for repairs or rebuilds.

Cartridges Reduce Costs

BOC's Quad-S Cartridges maximize your efficiencies while reducing replacement part inventory costs and unexpected downtime, due to the interchangeability of parts.

World Class Customer Service

BOC's commitment to our customers is never ending. With ongoing maintenance and repair schedules, as well as on-site visits within 48 hours anywhere in the U.S., working with BOC is a true partnership throughout the life cycle of our products.



BOC Water Hydraulics is proud to be Made in the USA and is a recognized Veteran Owned Small Business by the U.S. Department of Veterans Affairs.



Water Hydraulics, Inc.