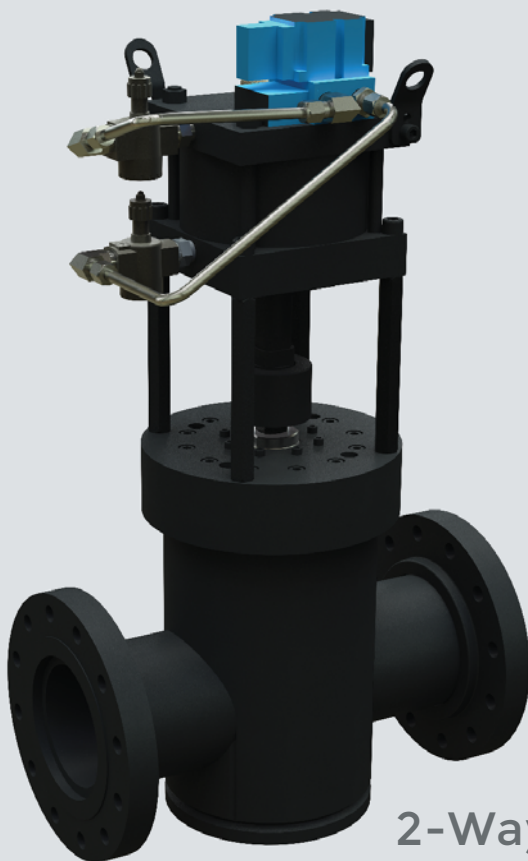




Water Hydraulics, Inc.

BOC WATER HYDRAULICS

LOW PRESSURE VALVES -LP SERIES-



2-Way Valve



Proportional/Regulated
Valve



PROUDLY MADE IN THE USA

12024 SALEM WARREN ROAD
PO BOX 1028
SALEM, OHIO 44460
WWW.BOCWATERHYDRAULICS.COM





“ Whatever your requirements may be, our Engineering Team will design and our state-of-the art manufacturing facility will produce to meet your needs. ”

TODD OLSON, PRESIDENT AND OWNER

WORD FROM THE PRESIDENT



TODD OLSON, PRESIDENT AND OWNER

BOC is determined to be the global industry leader in water hydraulics. As a customer driven company, we are willing and able to create products that fit your needs. This is how the LP Series valves came to be. A customer had a need for a reliable, long lasting, low pressure valve and we worked with them to develop this line. Built to withstand the harshest conditions, the LP Series is reliable and can be counted on for continued performance day in, day out.

Just remember, whatever your requirements may be, our Engineering Team can provide a solution and our state-of-the art manufacturing facility can produce whatever you need – and we do not stop there. We are always standing by to provide you technical assistance and field service support you require to be most successful in today’s highly competitive world.

Bottom line, our products are the most reliable in the marketplace. We strive every day to create long term value for your operations. Our products simplify your maintenance plan, significantly reduce your downtime, and streamline your spares strategy.

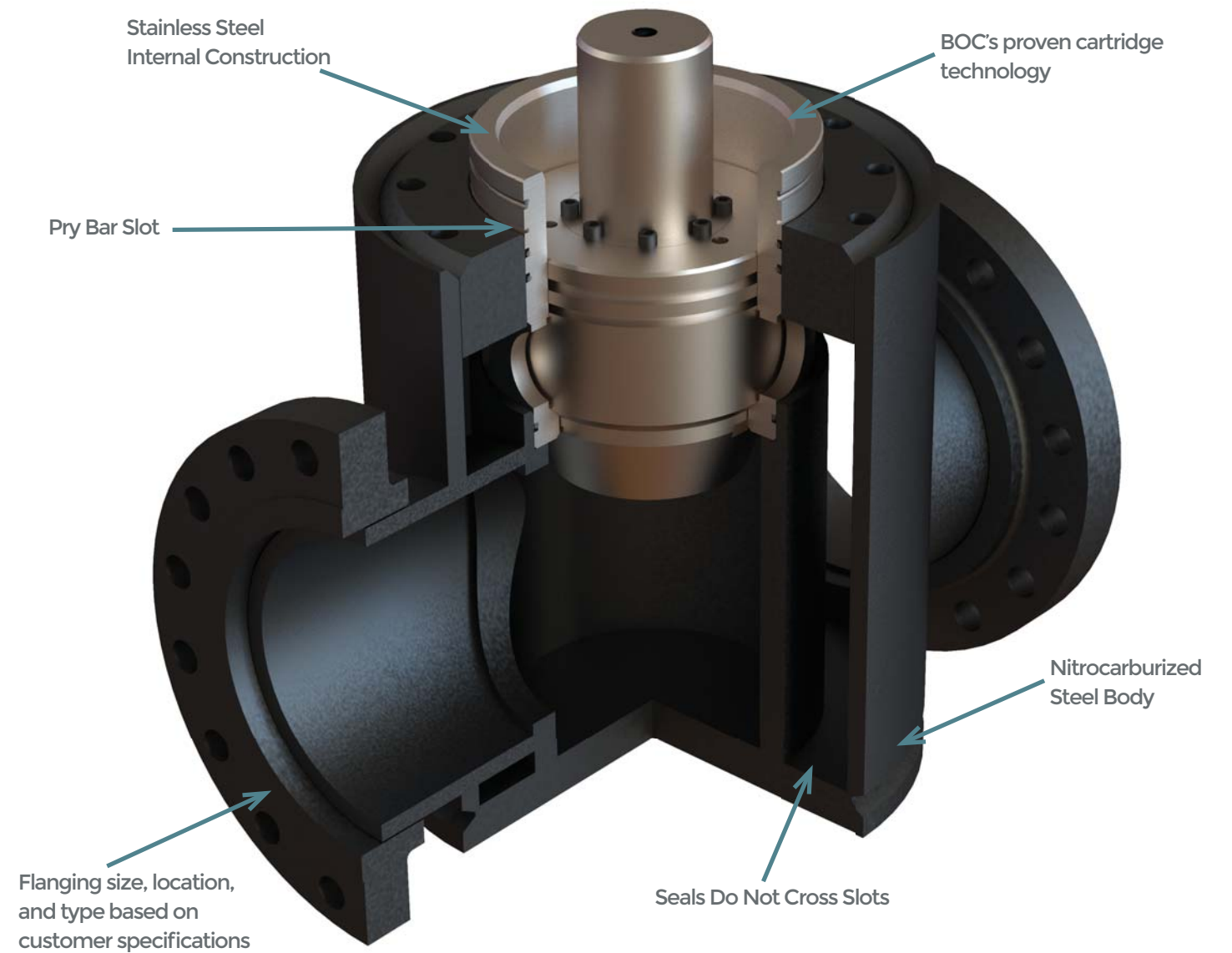
-Todd



Water Hydraulics, Inc.

VALVE OVERVIEW

BOC's water hydraulic valves are custom designed and engineered to fit your application.



Quad-S Cartridges (Stainless Steel, Soft Shift)

THE HEART OF OUR VALVES



Size: DIN 100 through DIN 200 (4" - 8")

LPV SERIES

BENEFITS OF VALVE:

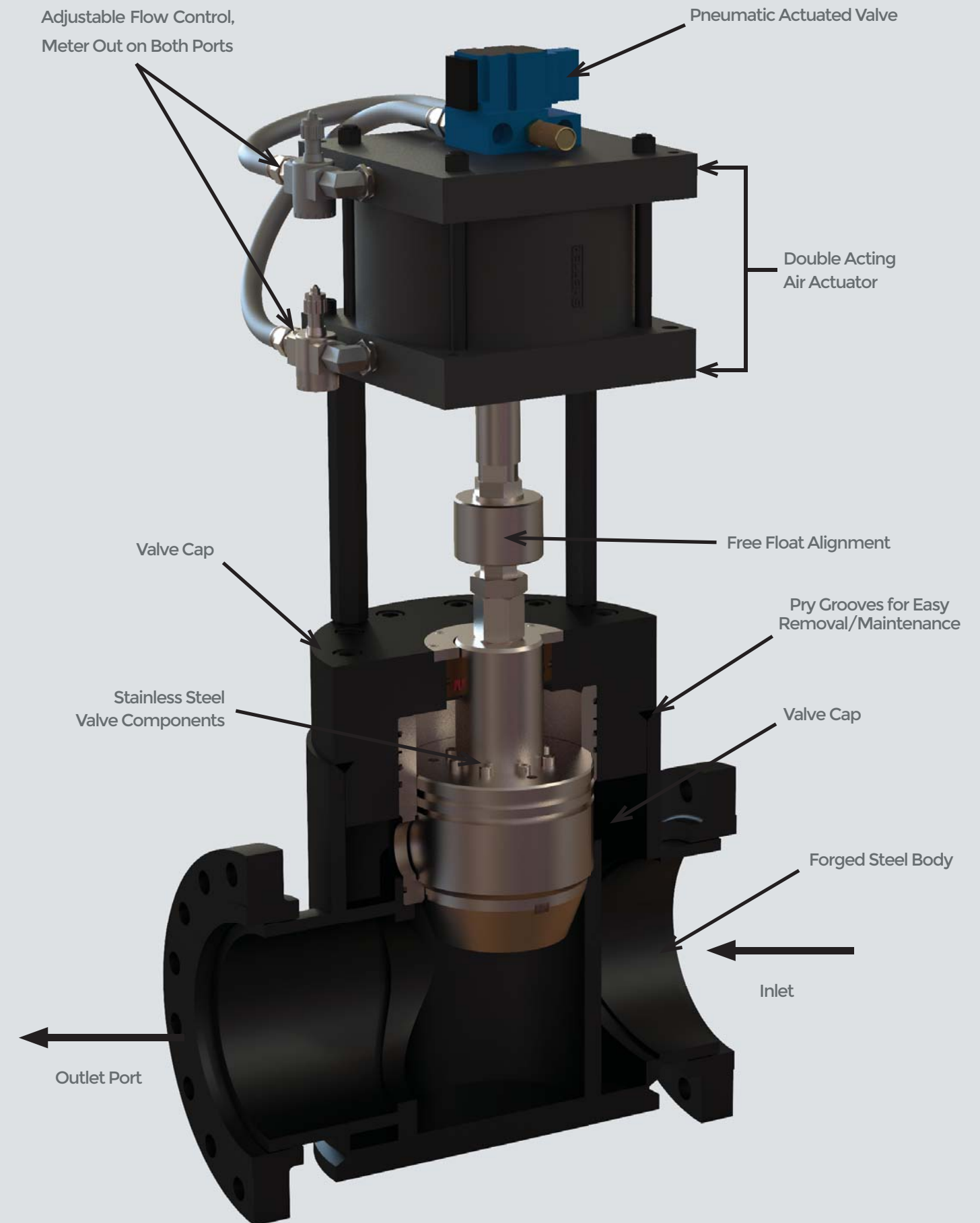
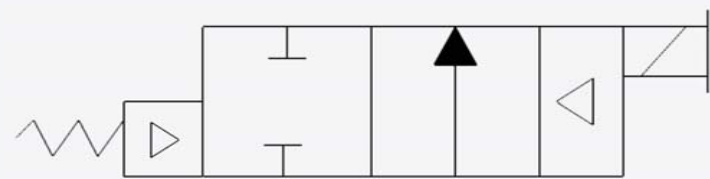
#1 - Highly dirt tolerant and extremely reliable. "If you can pump it, we can pass it."

#2 - Adjustable flow controls allow for field adjustments of valve shift speed (open & closed)

#3 - Long operational life due to construction materials and design

#4 - Fast service & repairs can be done in-place, when necessary

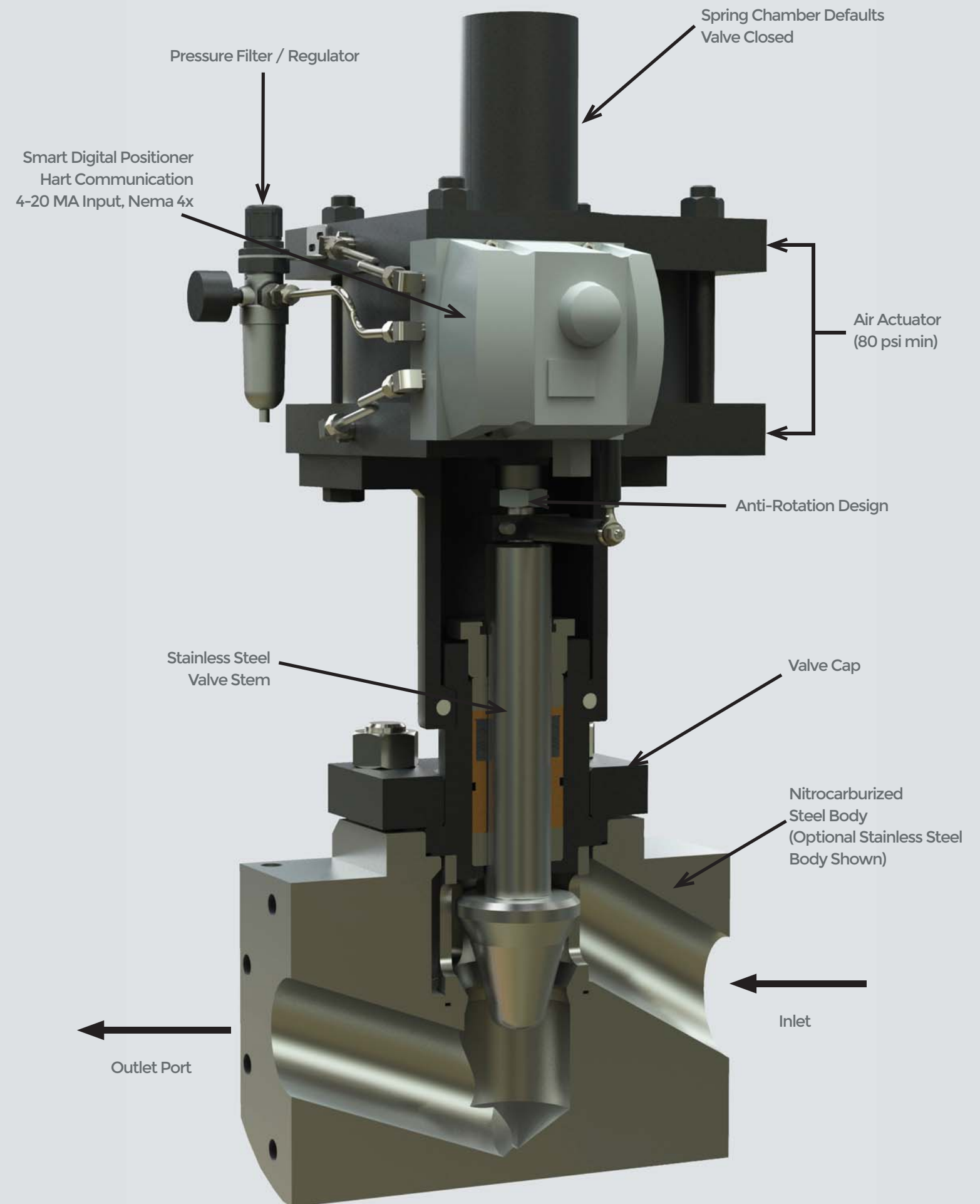
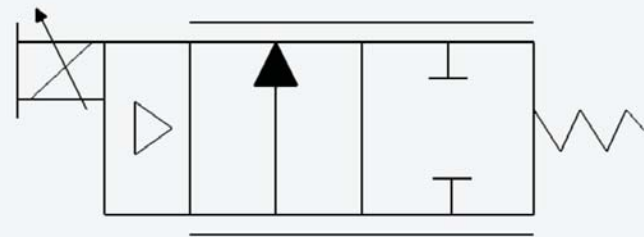
#5 - Highly reliable and repeatable performance



LPR SERIES

BENEFITS OF VALVE:

- #1 - Engineered for precision metering
- #2 - Infinitely adjustable; regulate outlet pressure and flow
- #3 - Complete closed loop control (4-20 MA)
- #4 - Engineered to customer piping specifications
- #5 - Highly reliable and repeatable performance



BOC PRODUCT SUPPORT

BOC is a Customer Driven company and we stand behind the products we sell. We want our customers to be as successful as possible, so we go the extra mile to provide documentation and support materials for our products. Our goal is to make sure you know **“How It Works”** and **“How To Service.”**

PRODUCT VIDEOS



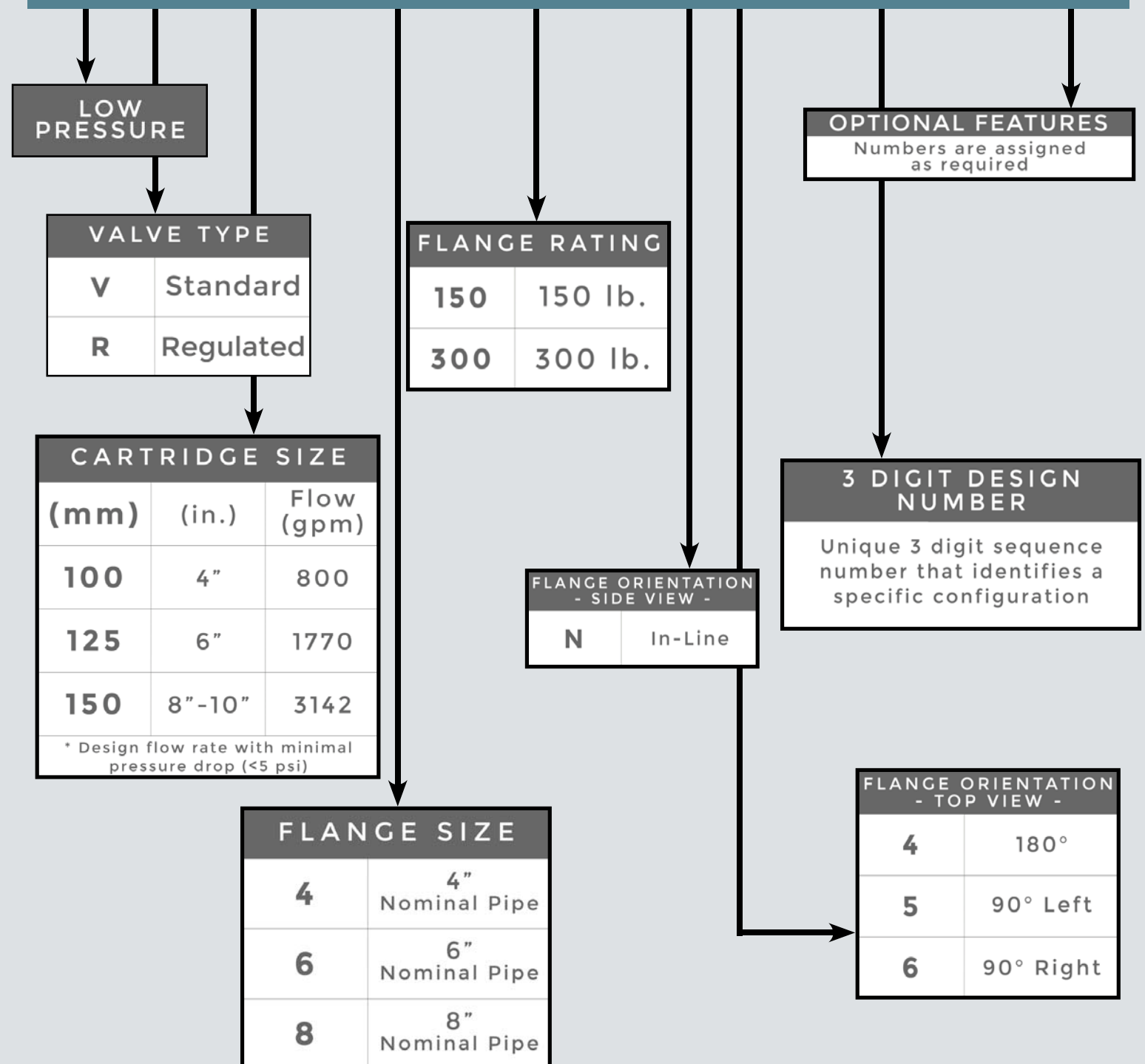
We will provide you with in-depth product videos showing you how the valve works (inside & out) along with any crucial maintenance instructions, tips, and tricks.

ELECTRONIC DOCUMENTATION PACKAGES

Drawings, user manuals, and any other vital information will be provided post-sale in the form of an Electronic Documentation Package. This can serve as a point of reference over the life of the product and will be useful for any troubleshooting needs during its operation.

ORDERING INFORMATION

LPR 150 - 6 - 150 - N4 - 999 / SP



WHY BUY BOC?

Easy to Manage Sustained Performance

Complete Engineering Design

BOC's knowledgeable and in-depth engineering team will work directly with you to customize to your needs. We will fit our products to the existing footprint to reduce investments needed for repairs or rebuilds.

Cartridges Reduce Costs

BOC's Quad-S Cartridges maximize your efficiencies while reducing replacement part inventory costs and unexpected downtime, due to the interchangeability of parts.

World Class Customer Service

BOC's commitment to our customers is never ending. With ongoing maintenance and repair schedules, as well as on-site visits within 48 hours anywhere in the U.S., working with BOC is a true partnership throughout the life cycle of our products.



BOC Water Hydraulics is proud to be Made in the USA and is a recognized Veteran Owned Small Business by the U.S. Department of Veterans Affairs.



Water Hydraulics, Inc.