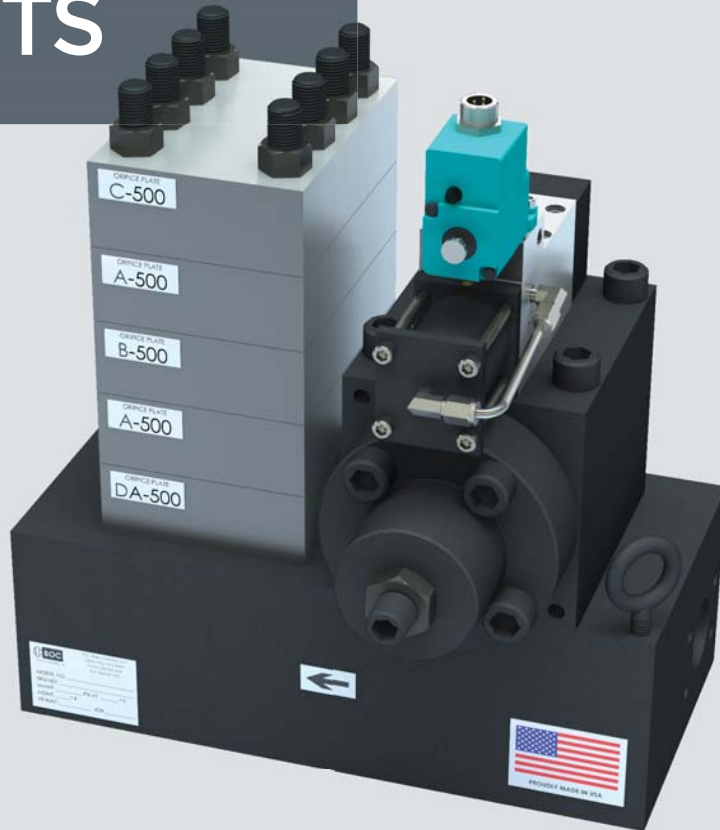




Water Hydraulics, Inc.

BOC WATER HYDRAULICS

PUMP BYPASS UNITS



PROUDLY MADE IN THE USA

12024 SALEM WARREN ROAD
PO BOX 1028
SALEM, OHIO 44460
WWW.BOCWATERHYDRAULICS.COM





“ Whatever your requirements may be, our Engineering Team will design and our state-of-the art manufacturing facility will produce to meet your needs. ”

TODD OLSON, PRESIDENT AND OWNER

WORD FROM THE PRESIDENT



TODD OLSON, PRESIDENT AND OWNER

BOC is determined to be the global industry leader in water hydraulics. Being a global leader means we have to solve real world problems with innovative product solutions. Our pump by-pass product line is an elegant solution for a frequent field problem. Many high pressure water systems are powered by large, multi-staged centrifugal pumps. These pumps require precise equipment to regulate bypass flow and to achieve safe, energy efficient bypass conditions. By building on our Quad-S Cartridge line, our V010 valve line, and our Pressure Reducing Orifice stack lines, we were able to bring a flexible product to market that offers pump operators all the control and reliability that they need for successful operation of their pumps.

Just remember, whatever your requirements may be, our Engineering Team can provide a solution and our state-of-the art manufacturing facility can produce whatever you need – and we do not stop there. We are always standing by to provide you technical assistance and field service support you require to be successful in today's highly competitive world.

Bottom line, our products are the most reliable in the marketplace. We work hard every day to create long term value for your operations. Our products simplify your maintenance plan, significantly reduce your downtime, and streamline your spares strategy.

-Todd



Water Hydraulics, Inc.

PBU OVERVIEW

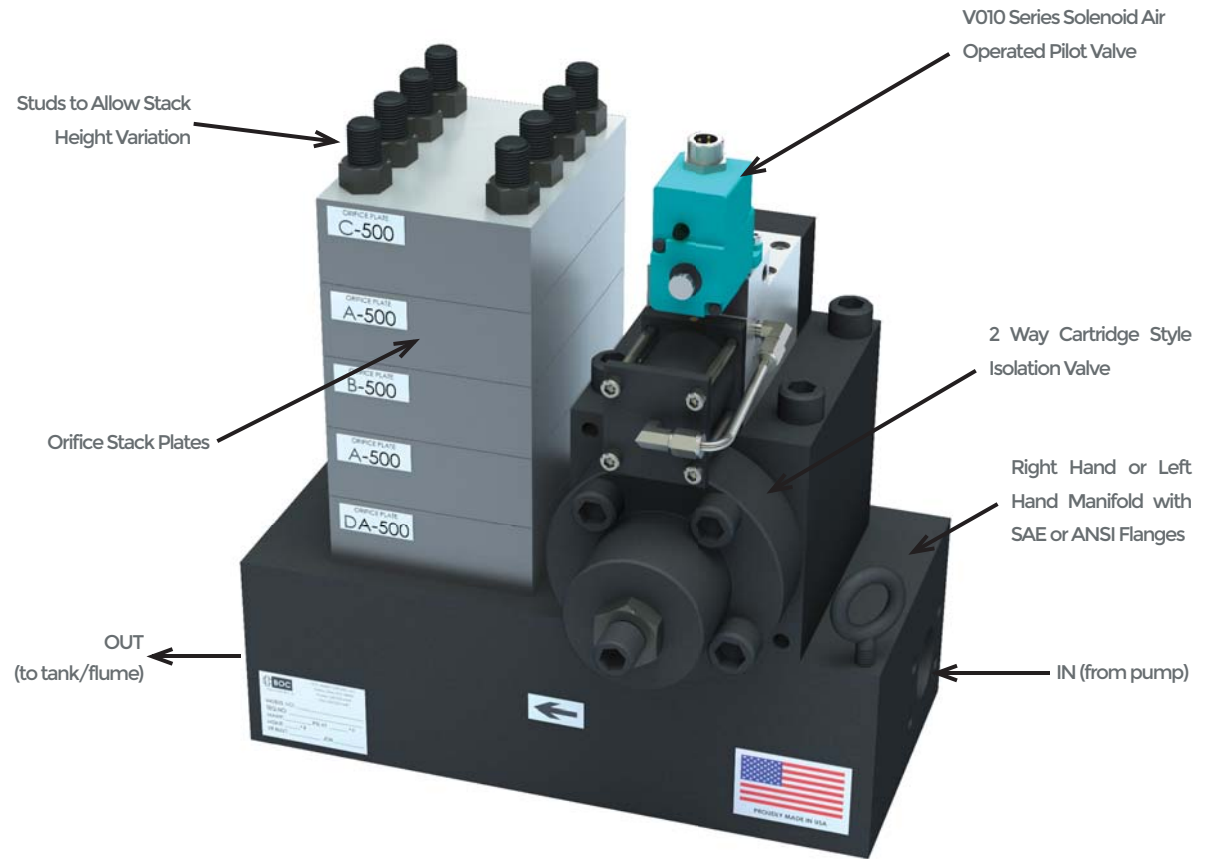
BOC's Pump Bypass Units are custom designed and engineered to fit your application.

Quad-S™ Cartridges (Stainless Steel, Soft Shift)

The Heart of our Valves

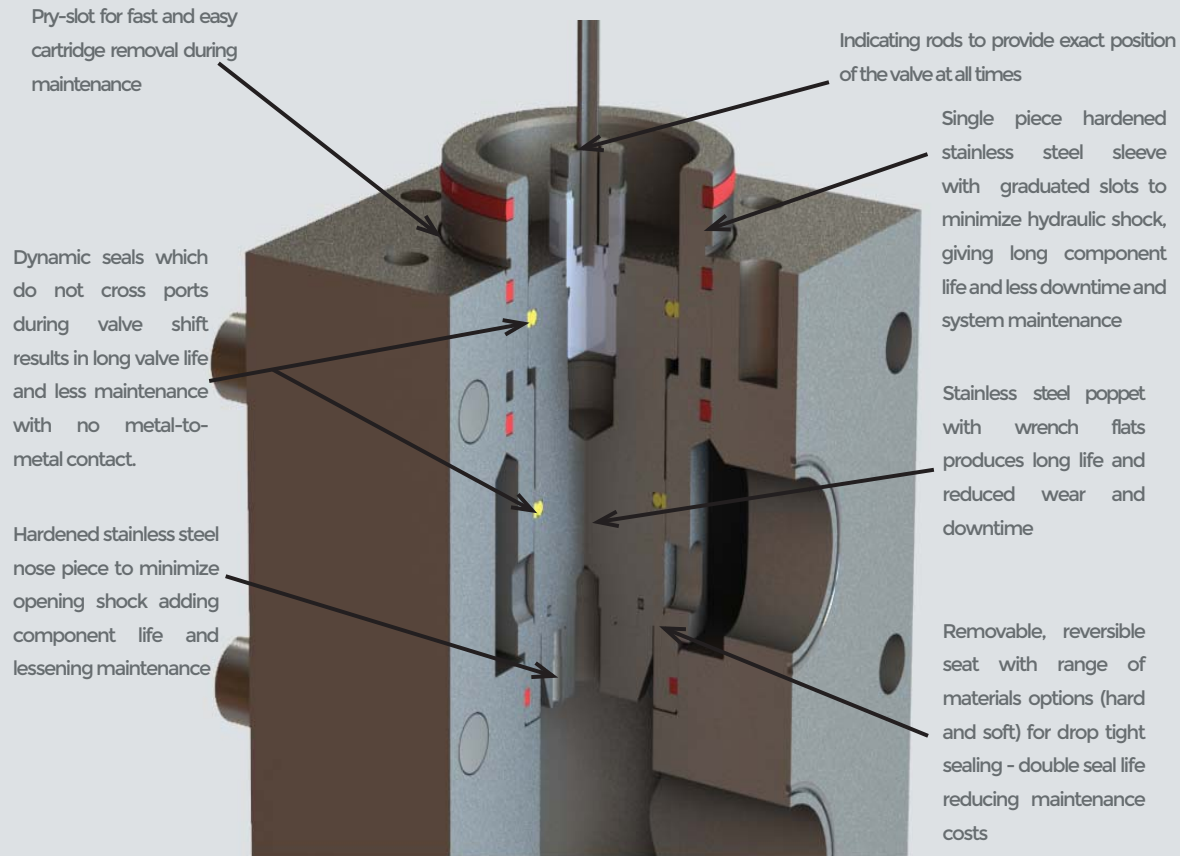


- Adaptive, Serviceable, and Multi-Functional
- Zero Leakage
- High Quality Materials
- Capable of raw water operating up to 6000 psi
- Sizes ranging Din 16 up through Din 200



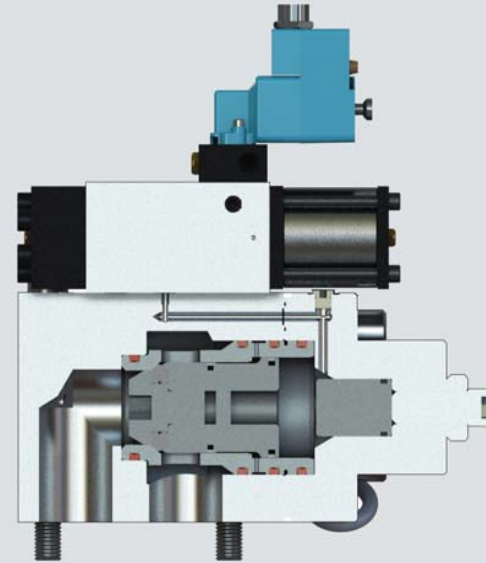
PBU BUILDING BLOCKS

QUAD-S CARTRIDGES



- Adaptive, Serviceable, and Multi-Functional
- Zero Leakage
- High Quality Materials
- Capable of raw water operating up to 6000 psi
- Sizes ranging Din 16 up through Din 200

ISOLATION VALVE



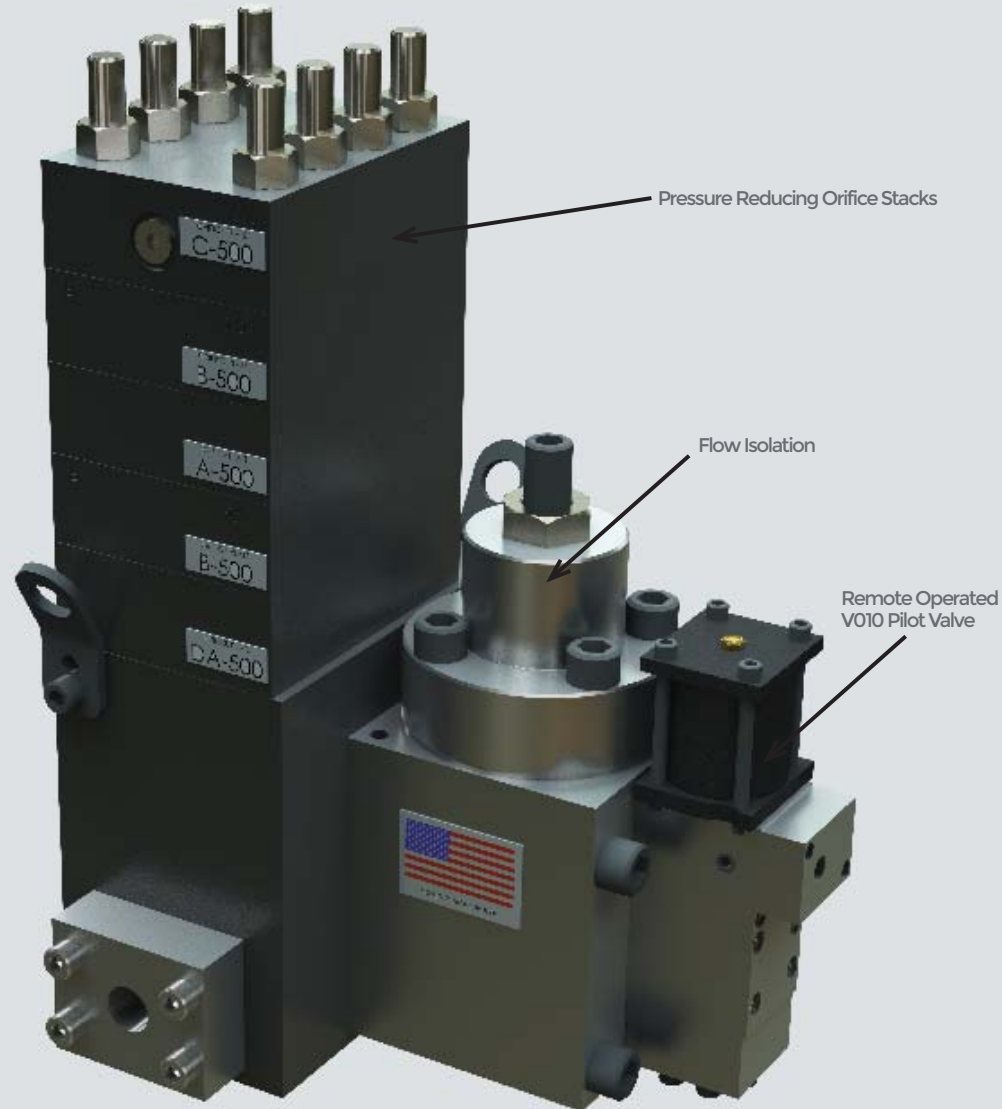
- Air operated, packed spool, pilot valve
- Flow adjustment screw
- Typically configured for normally closed action
- Capable of raw water operating up to 6000 psi
- Sizes ranging Din 16 up through Din 200

PRESSURE REDUCING ORIFICE STACKS

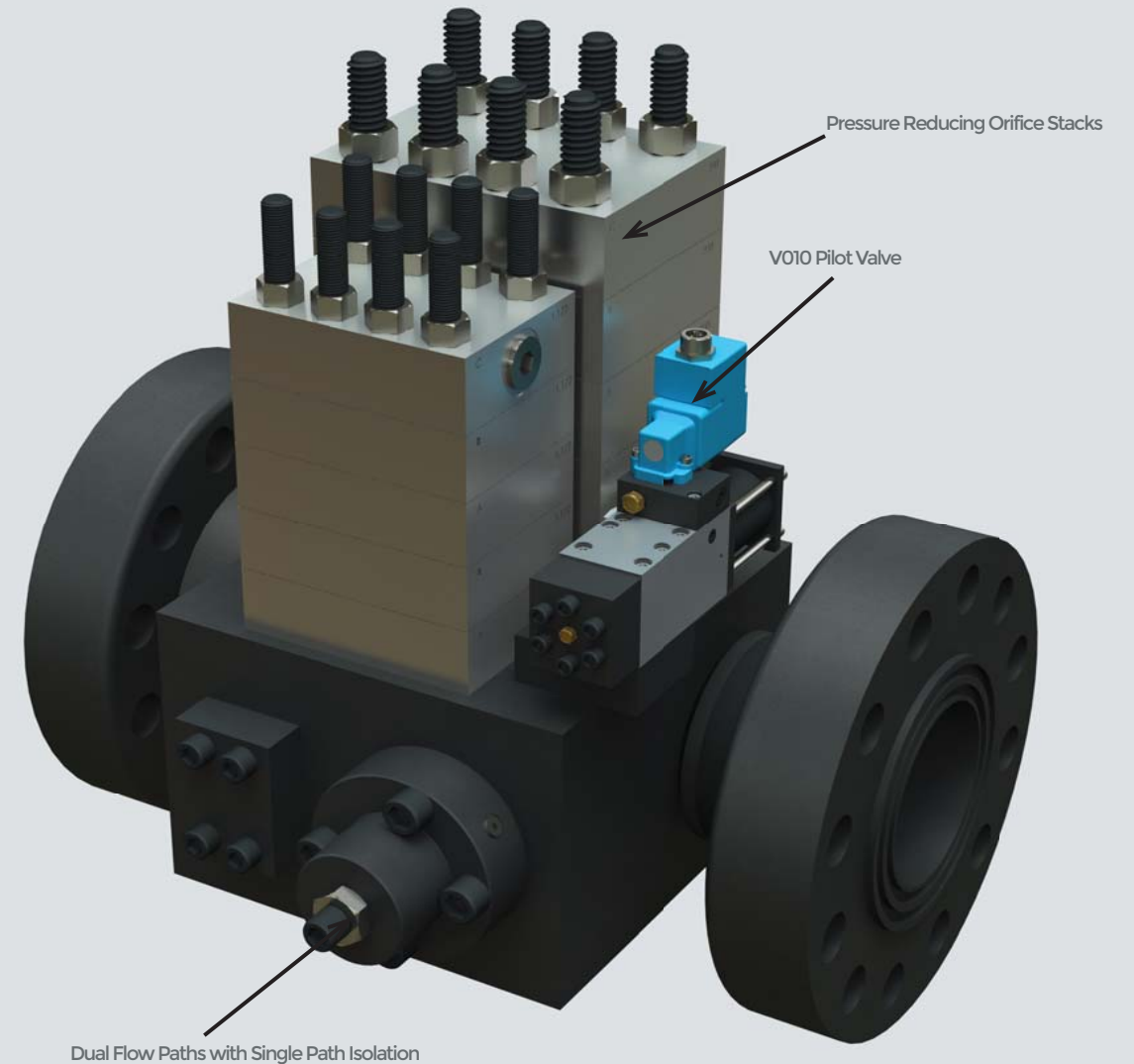
- Completely control flow performance
- Can be serviced directly in the field
- Easily adjust flow by adding or removing plates
- Available in 1" through 3" sizes



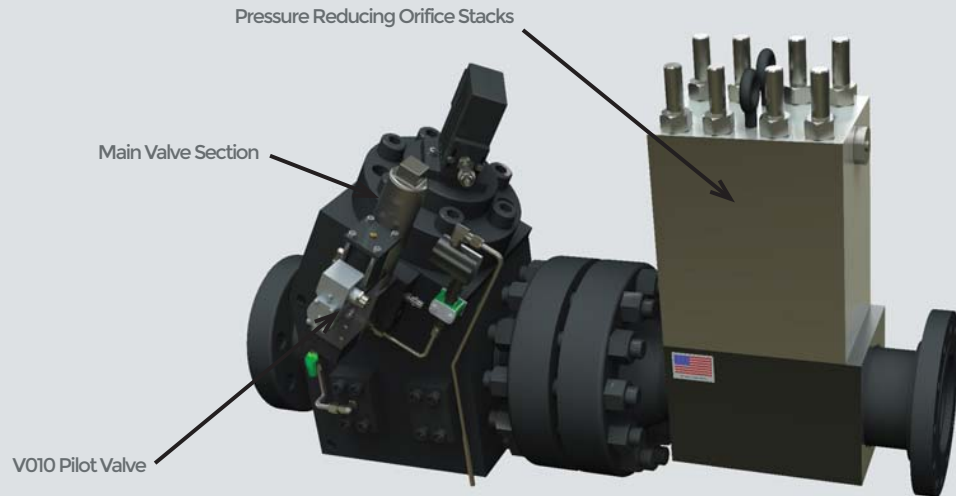
SAE IN-LINE FLANGED STYLE (UP THROUGH 2" SIZE)



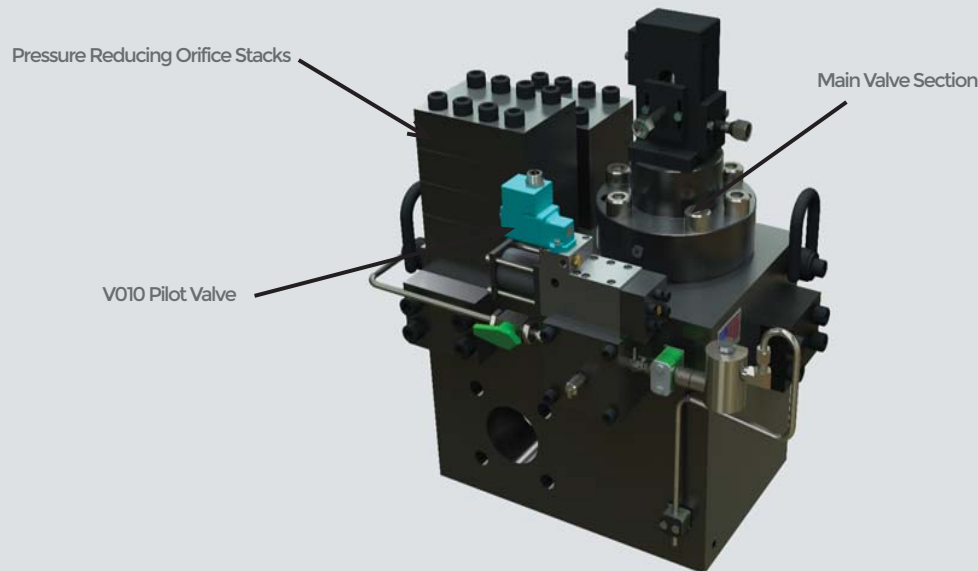
ANSI IN-LINE FLANGED STYLE (UP THROUGH 6" SIZE)



COMBINATION INDIVIDUAL VALVE AND ORIFICE STYLE (UP THROUGH 6" SIZE)



INTEGRATED VALVE AND ORIFICE STYLE (UP THROUGH 6" SIZE)



ORDERING INFORMATION

PBU - 050 - 11 - 2800 - 100 - 999

PUMP CONTROL MODULE

ISOLATION VALVE	
0	No Pilot Installed
1	Solenoid Air Operated Pilot
4	Wet Pin Solenoid
Option 4 for HWBF only, <4650 psi Operating Pressure	

DIN CARTRIDGE		
(mm)	(in.)	Flow (gpm)
016	3/4"	15
025	1"	37
026	1 1/4"	62
040	1 1/2"	100
050	2"	185
080	3"	385

TARGET PRESSURE DROP	
2800	2800 psi Drop
3500	3500 psi Drop
* Customer Specify	

OPTIONAL FEATURES
Numbers are assigned as required

TARGET FLOW	
100	100 gpm
200	200 gpm
* Customer Specify	

WHY BUY BOC?

Easy to Manage Sustained Performance

Complete Engineering Design

BOC's knowledgeable and in-depth engineering team will work directly with you to customize to your needs. We will fit our products to the existing footprint to reduce investments needed for repairs or rebuilds.

Cartridges Reduce Costs

BOC's Quad-S Cartridges maximize your efficiencies while reducing replacement part inventory costs and unexpected downtime, due to the interchangeability of parts.

World Class Customer Service

BOC's commitment to our customers is never ending. With ongoing maintenance and repair schedules, as well as on-site visits within 48 hours anywhere in the U.S., working with BOC is a true partnership throughout the life cycle of our products.



BOC Water Hydraulics is proud to be Made in the USA and is a recognized Veteran Owned Small Business by the U.S. Department of Veterans Affairs.



PROUDLY MADE IN THE USA



Water Hydraulics, Inc.